

Applications

Brio's Open Round Rail Face Fix hanger makes an ideal internal system for residential and commercial applications of timber panels with exposed hangers and rail.

The face fix hangers are 304 stainless steel with precision bearings.

Panel Specification

| | |
|------------------------|--|
| Track System: | Open Round Rail Timber Face Fix 100 |
| For Individual Panels: | |
| Max Panel Height | 3000mm |
| Max Panel Width | 2000mm |
| Max Panel Weight | 100kg |
| Panel Thickness | 35-40mm |

Standard Packs

Packs include hangers, door stops, guide, handle, brackets and fixings

| | |
|-----------------|-----------------|
| Pack No. | Finish |
| ORF100 | Stainless Steel |
| ORF100PR | PVD Black |

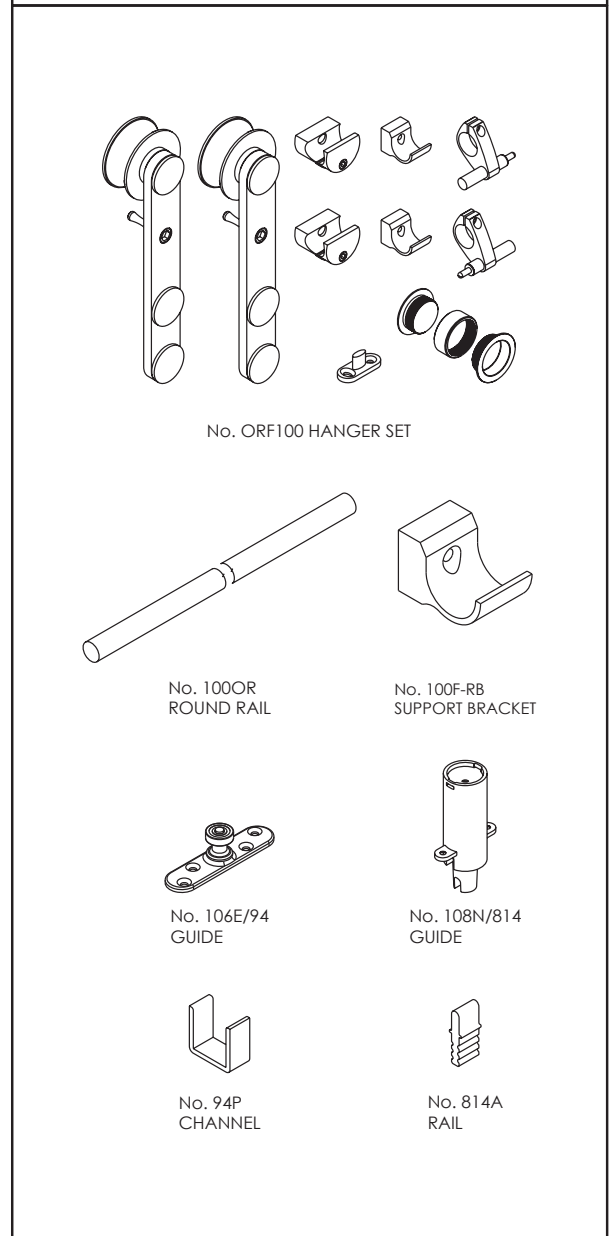
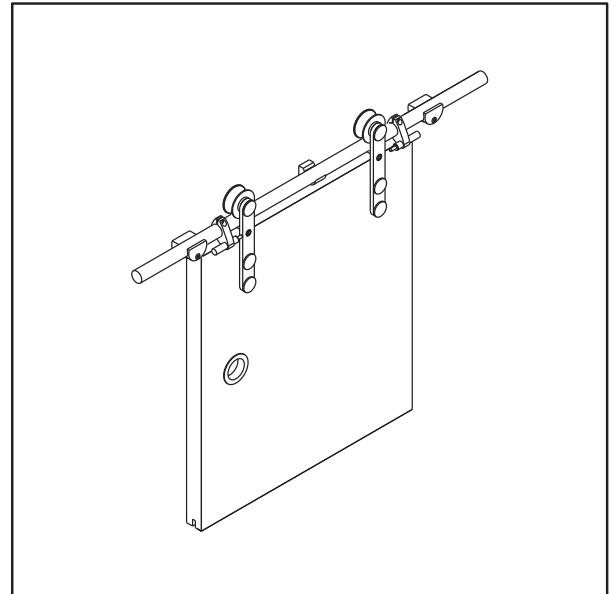
Hardware Specification

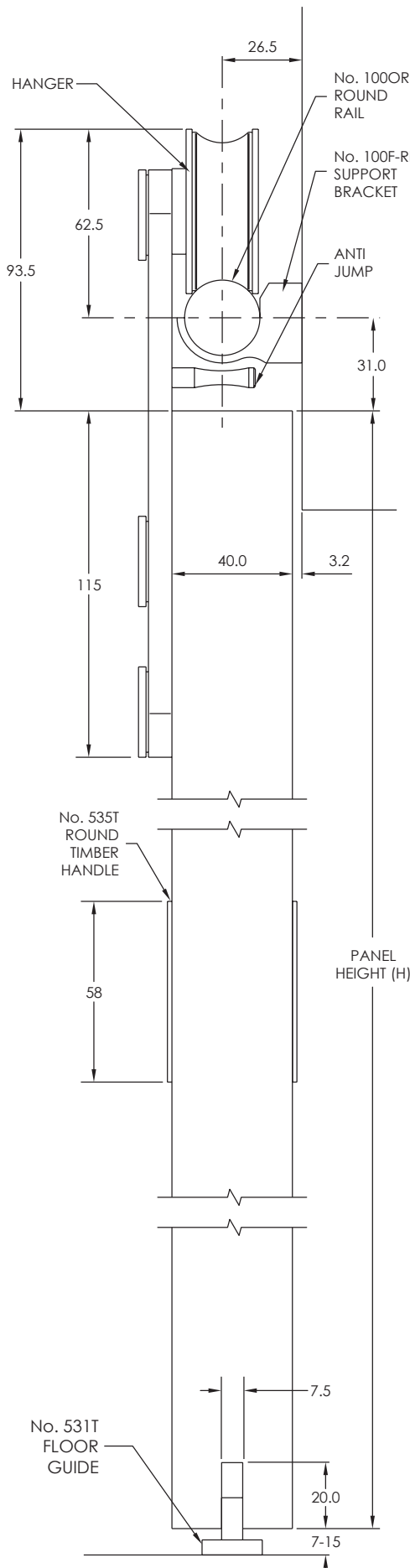
| | |
|------------------|---|
| Track: | 100OR |
| Material | Stainless Steel |
| Standard lengths | 2000mm, 2500mm, 3000mm and 4000mm |
| Finishes | Stainless Steel and PVD Black (except 4000mm) |

| | |
|-----------------------------|----------|
| Guides: | |
| Stainless precision bearing | 106E/94 |
| Nylon spring loaded guide | 108N/814 |

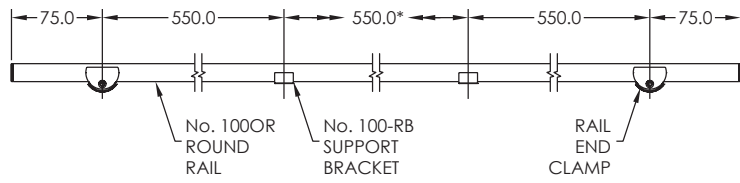
| | |
|---------------------------|------------------------------------|
| Channels: | |
| Polypropylene | 94P Black |
| Aluminium & Polypropylene | 94PPA Clear anodised |
| Aluminium | 814A Aluminium Rail Clear anodised |
| Standard lengths | 2000mm, 3000mm, 4000mm and 6000mm |

| | |
|-------------------------|----------------------|
| Support Bracket: | |
| Support bracket | 100F-RB or 100F-RBPR |





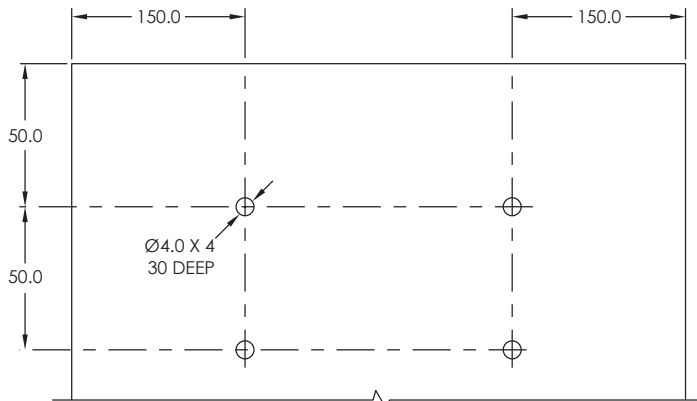
BRACKET PLACEMENT



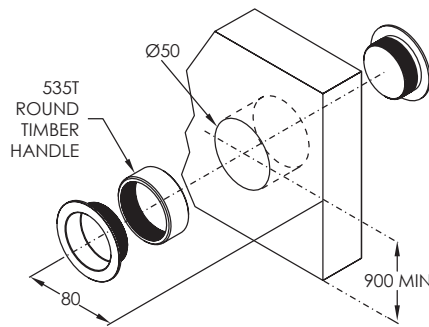
| RAIL LENGTH | *ADDITIONAL No. 100F-RB REQUIRED |
|-------------|----------------------------------|
| 2500mm | 1 |
| 3000mm | 2 |
| 4000mm | 4 |

PANEL PREPARATION

HANGERS (INSIDE FACE OF DOOR SHOWN)



ROUND TIMBER HANDLE



OPTIONAL GUIDES

